



## NEW STRETCH HOODER FB3000

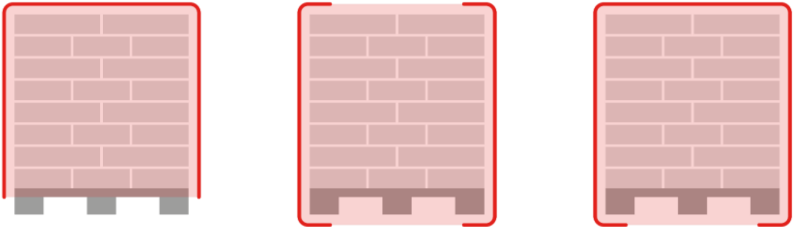
**VFB**<sup>®</sup>  
**BOCEDI**  
PALLET PACKAGING SYSTEMS

THE NEW STRETCH HOODER FB3000 HAS BEEN DESIGNED TO OFFER A **FLEXIBLE** PACKAGING MACHINE CAPABLE OF WORKING WITH A LARGE VARIETY OF LOAD SHAPES AND SIZES. THE FB3000 ALSO FEATURES A **PATENTED SYSTEM** THAT ALLOWS TO DO **ALL THE MAINTENANCE AT OPERATOR LEVEL**.

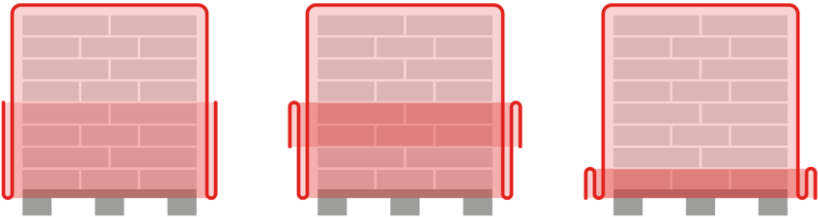


## FB3000 KEY FEATURES :

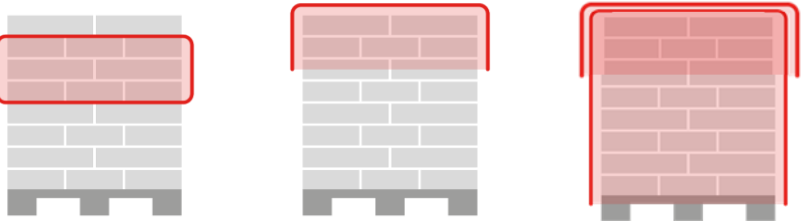
- Cartesian film stretch allows many load sizes on each film reel
- Optimized film opening system capable of processing all film types (super thin or thick , printed)
- 80 loads/h
- Compact in height , easy to fit in low ceilings
- All the maintenance at operator level
- Film reel change can be done with load presence in the machine
- All pneumatic moving parts. Selected and consolidated components , with low maintenance requirements
- Patented system



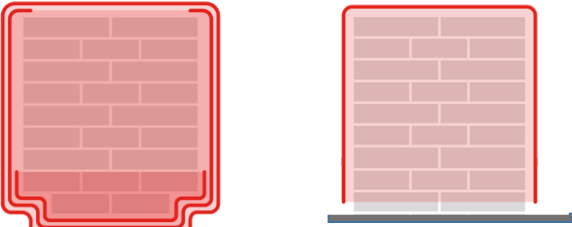
**FULL HOOD** : STANDARD | OPEN TOP | UNDER PALLET



**OVERLAYERS** : MANY POSSIBLE CONFIGURATIONS



**PARTIAL HOOD** : BANDS | HALF HOOD | DOUBLE HOOD



**NO PALLET** : PALLET-LESS | SLIP SHEET

## REDUCES PACKAGING PLASTIC CONSUMPTION

ONE SINGLE PLASTIC LAYER TO COVER THE COMPLETE LOAD, WITH TAILORED LENGTH ON EACH LOAD



## DOWNGAUGE

THE FILM SIZE OR THICKNESS



## CARBON NEUTRAL

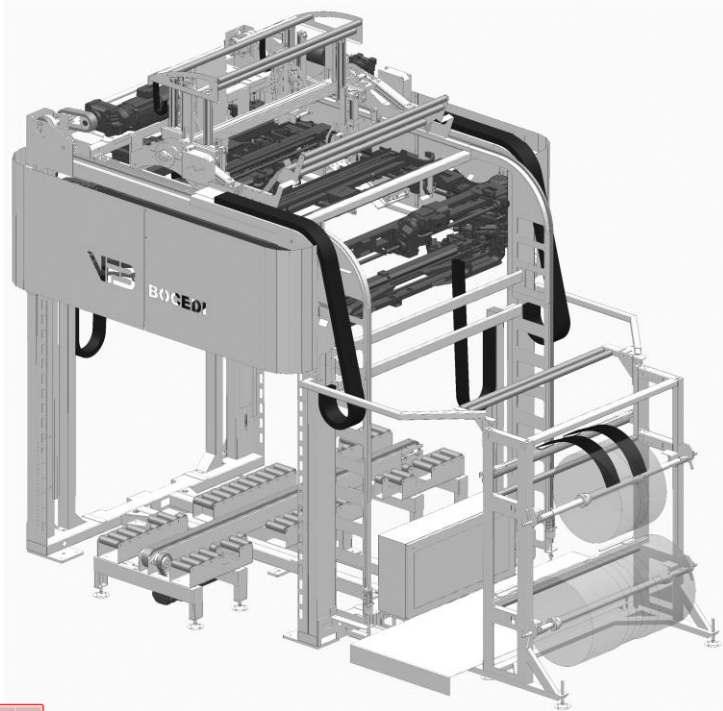
DOES NOT USE ANY HEAT SOURCE, AND DOES NOT RELEASE ANY GAS EMISSION (GHG)



## RECYCLED POLYMERS (RP)

STRETCH HOOD FILM IS 100% RECYCLABLE AND CAN ALSO BE PRODUCED WITH A % OF RECYCLED POLYMERS





**SMALL** : MAX PALLET SIZE 950x800 | MAX SPEED 80/Hr

**STD** : MAX PALLET SIZE 1350x 1150 | MAX SPEED 70P/Hr

**XL** : MAX PALLET SIZE 1400x1800 | MAX SPEED 60/Hr

**XXL** : MAX PALLET SIZE 1400x2600 | MAX SPEED 45/Hr



MIN. PALLET SIZE 600X600



SIMPLE MACHINE WITH MECHANICAL / PNEUMATIC COMPONENTS \_ LOW MAINTENANCE



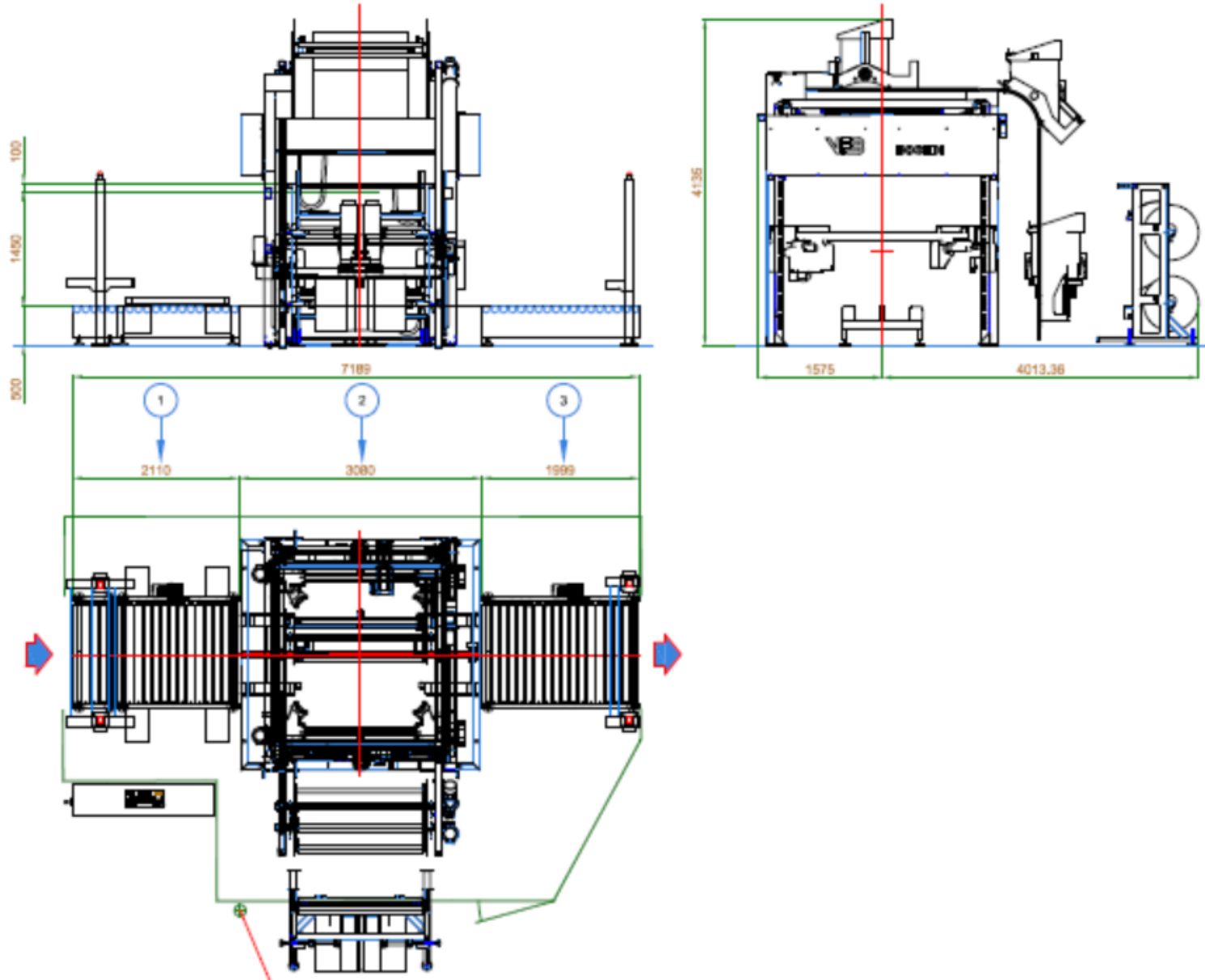
CONFIGURABLE WITH 2 DIFFERENT FILM TYPES/SIZES



SUITABLE FOR ANY TYPE OF CERTIFICATION ( ON REQUEST)



AUTOMATIC HEIGHT LOAD READING, TAILORED OPTIMIZED HOOD ON EACH LOAD



## OPERATING SPEED

80 loads/hour ( depending on pallet size )

## PATENT n.

102019000024781

## LOAD SIZE minimum

600x600 mm

## LOAD WEIGHT Max

2500 Kg

## FILM THICKNESS

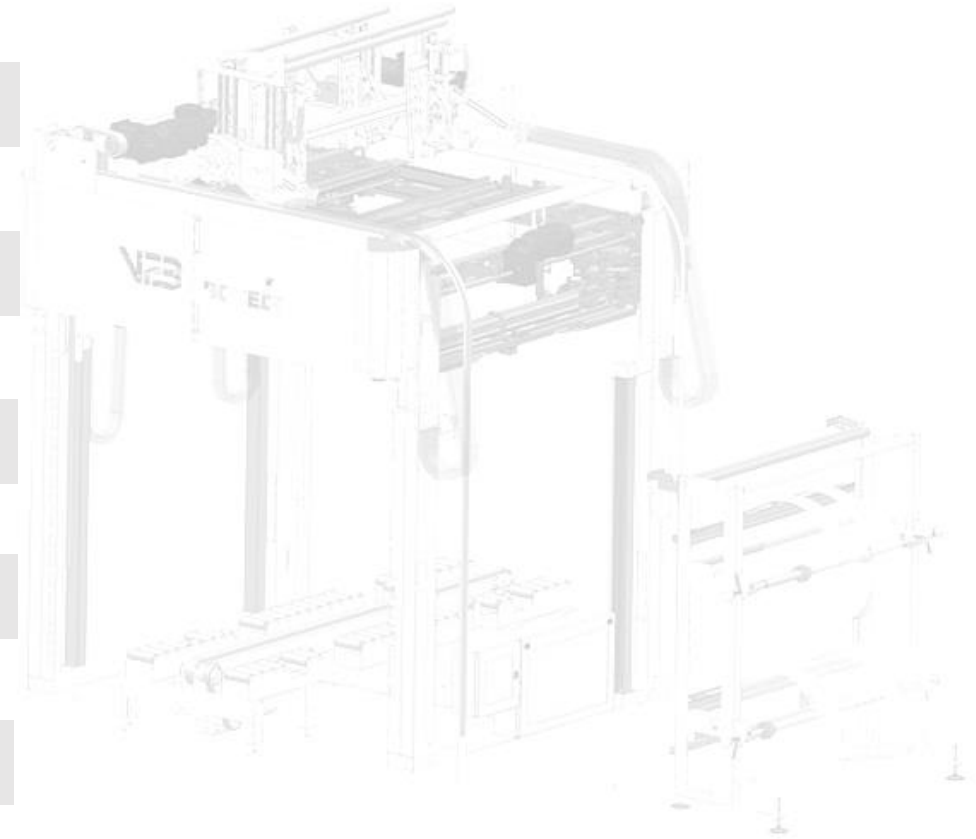
20-200 microns

## OPERATING PRESSURE

6 bar

## NUMBER OF REELS max

2



INFO → [INFO@BOCEDISRL.COM](mailto:INFO@BOCEDISRL.COM)



**OFFICINA BOCEDI SRL**

Via del Bosco 31/B

42019 Pratissolo di Scandiano (RE) Italy

[www.bocedisrl.com](http://www.bocedisrl.com) | [info@bocedisrl.com](mailto:info@bocedisrl.com)